



# ZIF PGA Test & Burn-in Socket for Any Footprint on Std 13x13 to 21x21 Grid

## FEATURES

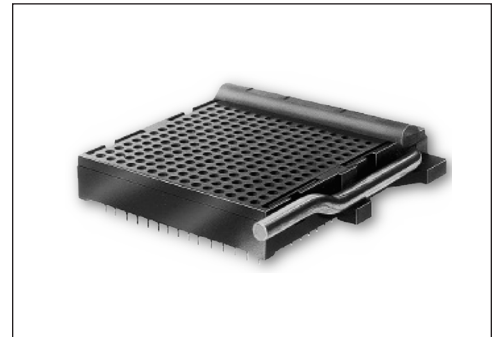
- A strong, metal cam activates the normally closed contacts, preventing dependency on plastic for contact force
- The handle can be provided on right or left hand side
- Consult factory for special handle requirements
- Any footprint accepted on standard 13x13 to 21x21 grid

## GENERAL SPECIFICATIONS

- SOCKET BODY: black UL 94V-0 Polyphenylene Sulfide (PPS)
- CONTACTS: BeCu 174, 1/2-hard **or** NiB (Spinodal)
- BeCu CONTACT PLATING OPTIONS: "2" 30μ [0.762μ] min. Au per MIL-G-45204 on contact area, 200μ [5.08μ] min. matte Sn per ASTM B545-97 on solder tail, both over 30μ [0.762μ] min. Ni per QQ-N-290 all over. Consult factory for other plating options not shown
- SPINODAL PLATING CONTACT ONLY: "6": 50μ [1.27μ] min. NiB
- HANDLE: Stainless Steel
- CONTACT CURRENT RATING: 1 amp
- OPERATING TEMPERATURES: -85°F to 257°F [-65°C to 125°C] Au plating, -85°F to 392°F [-65°C to 200°C] NiB (Spinodal)
- ACCEPTS LEADS: 0.014-0.026 [0.36-0.66] dia., 0.120-0.290 [3.05-7.37] long

## MOUNTING CONSIDERATIONS

- SUGGESTED PCB HOLE SIZE: 0.032 ±0.002 [0.81 ±0.05] dia.
- See PCB footprint below
- Plugs into standard PGA sockets



**CUSTOMIZATION:** In addition to the standard products shown on this page, Aries specializes in custom design and production. Special materials, platings, sizes, and configurations can be furnished, depending on the quantity. **NOTE:** Aries reserves the right to change product general specifications without notice.

## ORDERING INFORMATION

**XXX-PXX XXXXX-1 X**

No. of Pins  
Series Designator  
PRS = Std  
PLS = Handle of Left  
Grid Size & Footprint No.

Plating

2 = Au Contacts, Sn over Nic Tail  
6 = NiB (spinodal) Pin Only

**CONSULT FACTORY FOR MINIMUM ORDERING QUANTITY AS WELL AS AVAILABILITY OF THIS PIN**

Solder Pin Tail

Grid Size	No. of Pins	Dim. "C"	Dim. "A"	Dim. "B"	Dim. "D"
12 x 12*	144	1.100 [27.94]	1.894 [48.10]	1.510 [38.35]	1.675 [42.54]
13 x 13	169	1.200 [30.48]			
14 x 14*	196	1.300 [33.02]	2.094 [53.20]	1.710 [43.43]	1.875 [47.62]
15 x 15	225	1.400 [35.56]			
16 x 16*	256	1.500 [38.10]	2.294 [58.26]	1.910 [48.51]	2.075 [52.70]
17 x 17	289	1.600 [40.64]			
18 x 18*	324	1.700 [43.18]	2.494 [63.34]	2.110 [53.59]	2.275 [57.78]
19 x 19	361	1.800 [45.72]			
20 x 20*	400	1.900 [48.26]	2.694 [68.42]	2.310 [58.67]	2.475 [62.86]
21 x 21	441	2.000 [50.80]			

\* Top and Right-hand Side Row left out



**ARIES**  
ELECTRONICS, INC.

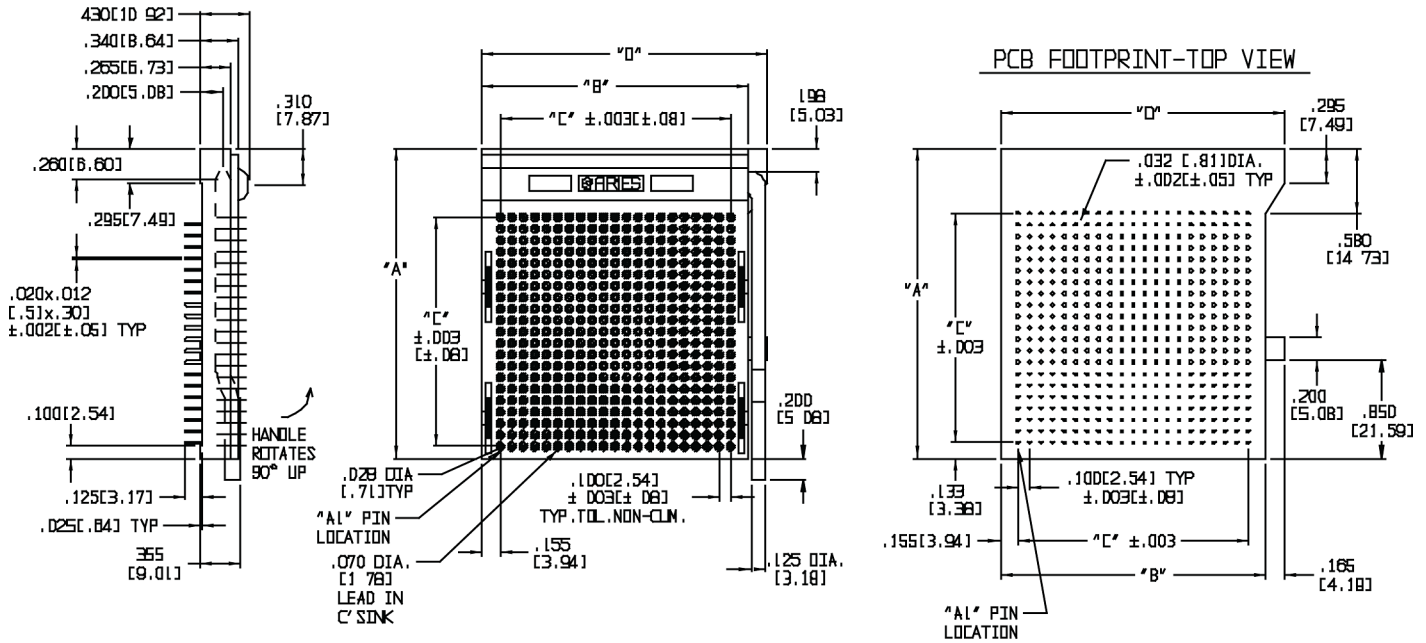
Bristol, PA 19007-6810 USA  
TEL (215) 781-9956 • FAX (215) 781-9845  
WWW.ARIESELEC.COM • INFO@ARIESELEC.COM



10004  
Rev. AB  
1 of 2



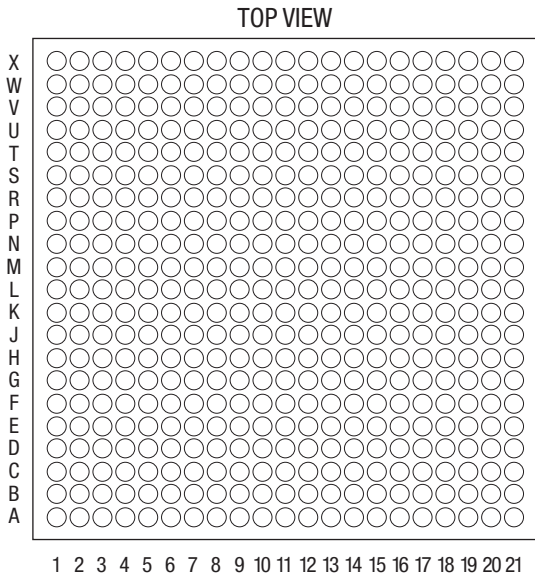
# ZIF PGA Test & Burn-in Socket for Any Footprint on Std 13x13 to 21x21 Grid



ALL DIMENSIONS: INCHES [MILLIMETERS]  
 ALL TOLERANCES: ±0.005 [0.13] UNLESS OTHERWISE SPECIFIED  
 CONSULT FACTORY FOR OTHER SIZES AND CONFIGURATIONS

### SPECIAL FOOTPRINT INSTRUCTIONS

1. Make a copy of this sheet
2. Fill-in circles for footprint desired using the key below
3. Fill-in the information below, including Series and Plating options. See Ordering Information above
4. Send sheet to Aries for prompt quote



**KEY** ○ = no pin  
 ● = pin  
 x = plug hole

COMPANY NAME \_\_\_\_\_  
 ADDRESS \_\_\_\_\_  
 CITY \_\_\_\_\_  
 REQUESTED BY \_\_\_\_\_  
 PHONE \_\_\_\_\_  
 DATE \_\_\_\_\_  
 TOTAL NUMBER OF PINS \_\_\_\_\_  
 SERIES (circle one)    PRS    PLS  
 PLATING (circle one)    2



Bristol, PA 19007-6810 USA  
 TEL (215) 781-9956 • FAX (215) 781-9845  
 WWW.ARIESELEC.COM • INFO@ARIESELEC.COM



10004  
 Rev. AB  
 2 of 2